

HS 20W HALOGEN

The shape of the Sunnex HS, in combination with its robust design and simple adjustment, has made the lamp a reliable industrial light for over 30 years.

The Sunnex HS is fitted with Sunnex's classic flexible arm which is of extremely high quality and the lamp produces an extremely well-focused spot light. The Sunnex HS comes with either an integral transformer or in a low-voltage version for direct connection to machinery.

The light can also be supplied with a dimmer, and is available sealed to safety class IP20 or IP65. The Sunnex HS is available with a 20 or 27 in flexible, bendable arm, as well as in the form of a spot with both single and double joint.

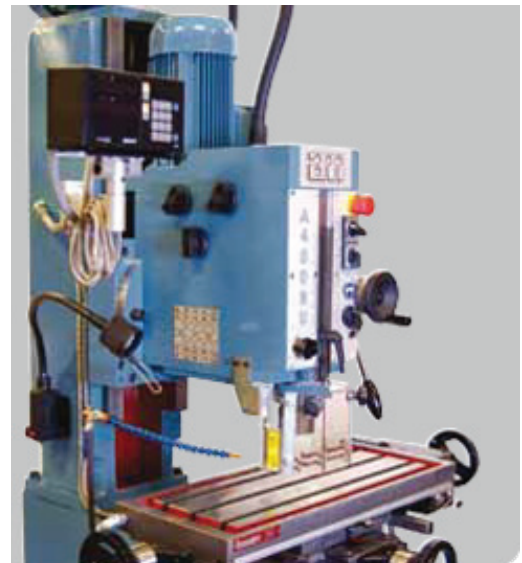
Examples of applications include spot lighting for manufacturing machines, machine tools, graphic design, assembly work and precision mechanical work.

Applications

- Workshop Machinery
- Machine tools
- Point Lighting
- Monitoring and Inspection
- Assembly Work

Benefits

- Well-focused spot light
- Flexible arm for precise control
- With or without a joint in the lamp head
- Ergonomic design
- Various brackets available

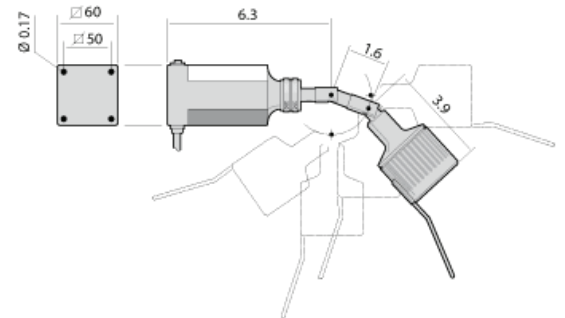
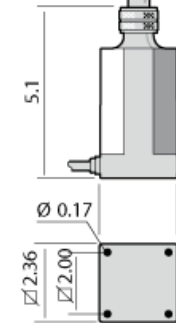
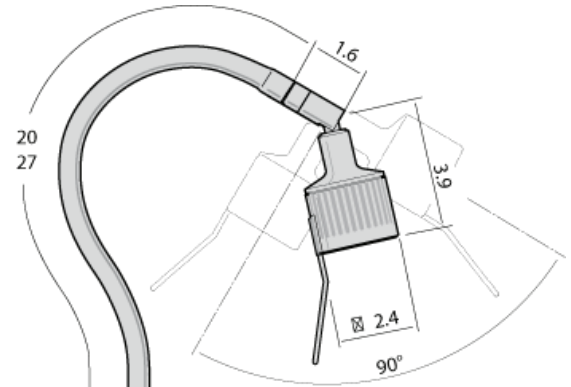
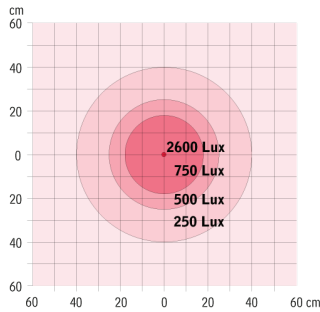




Technical Specifications

Supply Voltage	120V/230V, 12V, 24V
Light Source	Halogen 12V/24V/20W
Lifetime, light source	2,000 hours
Lamp Head	With or without joint
Lens	Clear
Arm Length	20 or 27 inches
Color	Black
Color Temperature	3000K
IP rating	IP20
Protection class	Class II
Power Switch	Placed in base
Base	Equipped with four mounting holes
Color rendering index	Ra 100
Cable Length	6.5 feet

Lux rating - 0.5 m distance



Mounting Accessories



Magnetic base



Table base



C-Clamp



Wall mount

More info about
Accessories
see separate leaflet
sunnexonline.com

Sunnex reserves the right to change this information without further notice and holds no liability for printing errors in this content.
Copyright © Sunnex, Inc. All Rights Reserved.